

Ermetika<sup>®</sup>  
DESIGN PASSAGES



PRODUCT  
BROCHURE  
— 2024

**XREVERX<sup>®</sup>**  
FLUSH REVERSIBLE HINGED DOOR



# xREVERx

xREVERx is the flush reversible hinged door system that blends versatility and outstanding aesthetics in one solution. Composed of system and door, the reversible flush with the wall system allows a full customisation of the frame according to construction needs.

Direction of opening can be inverted (push or pull) and switch from a left or right opening turning the frame. Available only in standard dimensions, it can be set up both in plastered and plasterboard walls. Completely free of jambs and architraves, the flush reversible hinged door system offers the maximum choice in decoration.

## REVERSIBLE

Flush reversible hinged door system

No jambs  
totally versatile

### Frame



### Door



H=2100 mm  
The lock is positioned exactly in the middle of the panel (1050 mm)  
H=2100mm

The set includes three adjustable concealed satin chrome hinges.

# 1 ALL-IN-ONE PRODUCT

Frame + Door + Hardware in one package



# 2 GUIDE TO THE OPENING DIRECTIONS

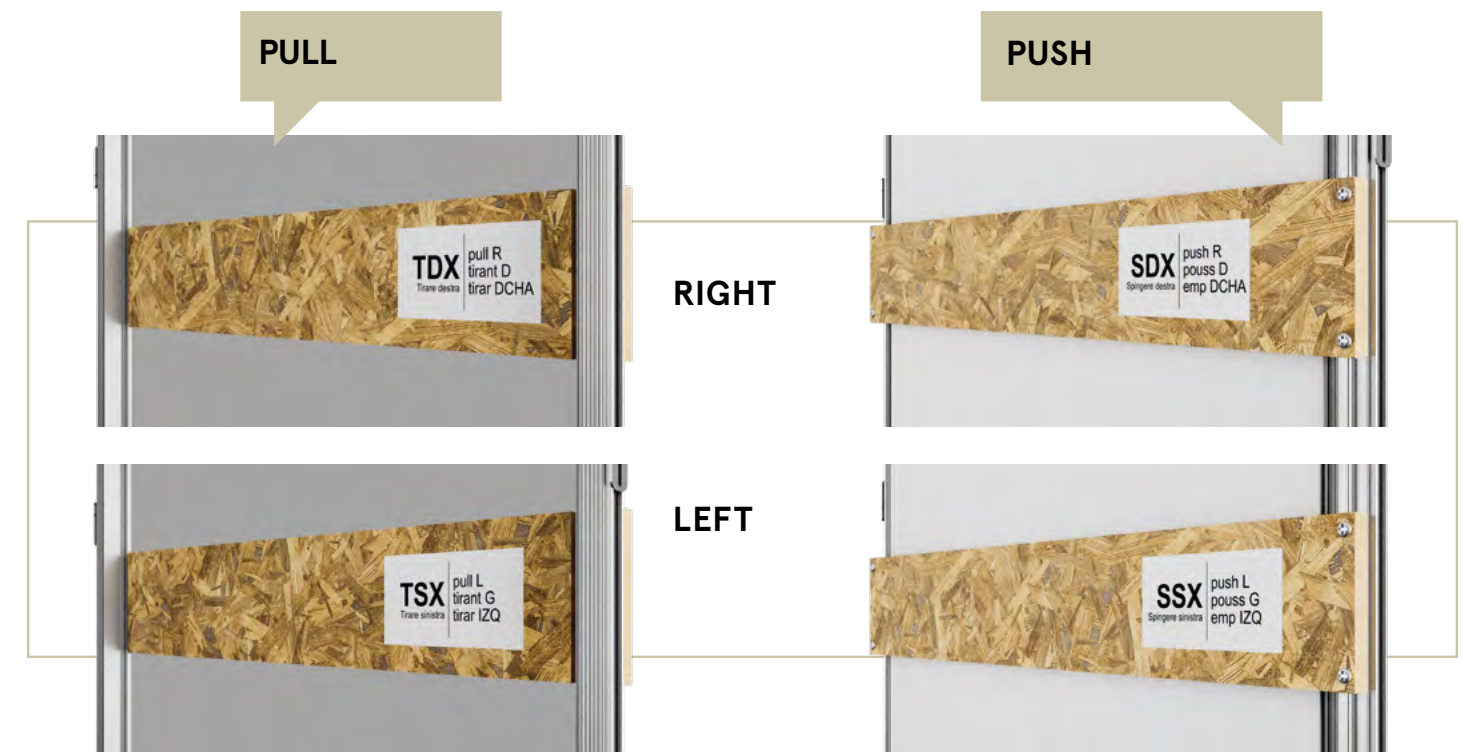
Essential elements



# 3 HOW TO SET THE OPENING DIRECTION?



Use the upper crossbar to determine the opening direction.



The labels on the spacers let you know at a glance in which way you are installing your xREVERx frame.

## 4 OPENING DIRECTION

### RIGHT vs . LEFT/ *GAUCHE*

Flip the frame over to switch from a right-hand opening to a left-hand.



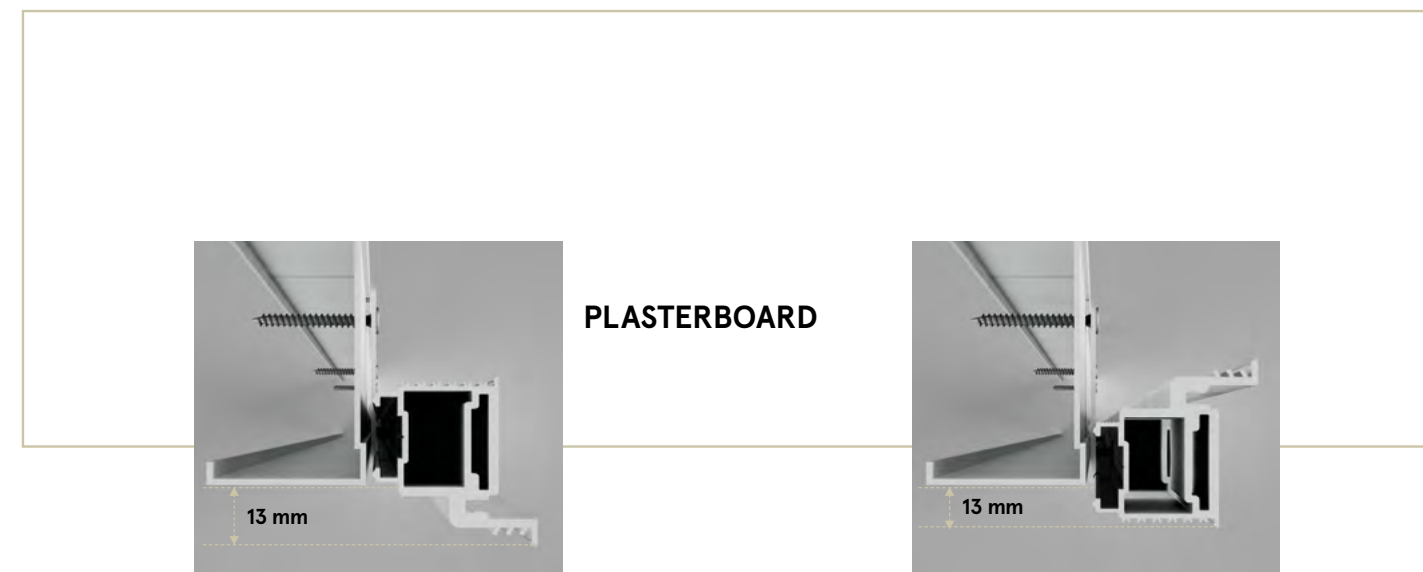
### PUSH

Rotate the frame on the vertical axis to switch from push to pull.



## 5 INSTALLATION

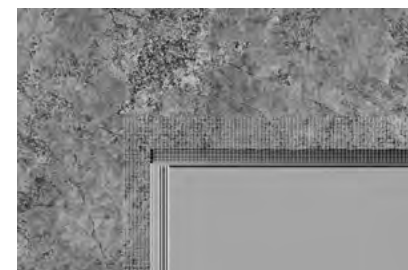
Place the frame as shown in the example, depending on the chosen opening direction.



## 6 FINISHING/*FINITION*

### INSTALLATION ON PLASTERBOARD

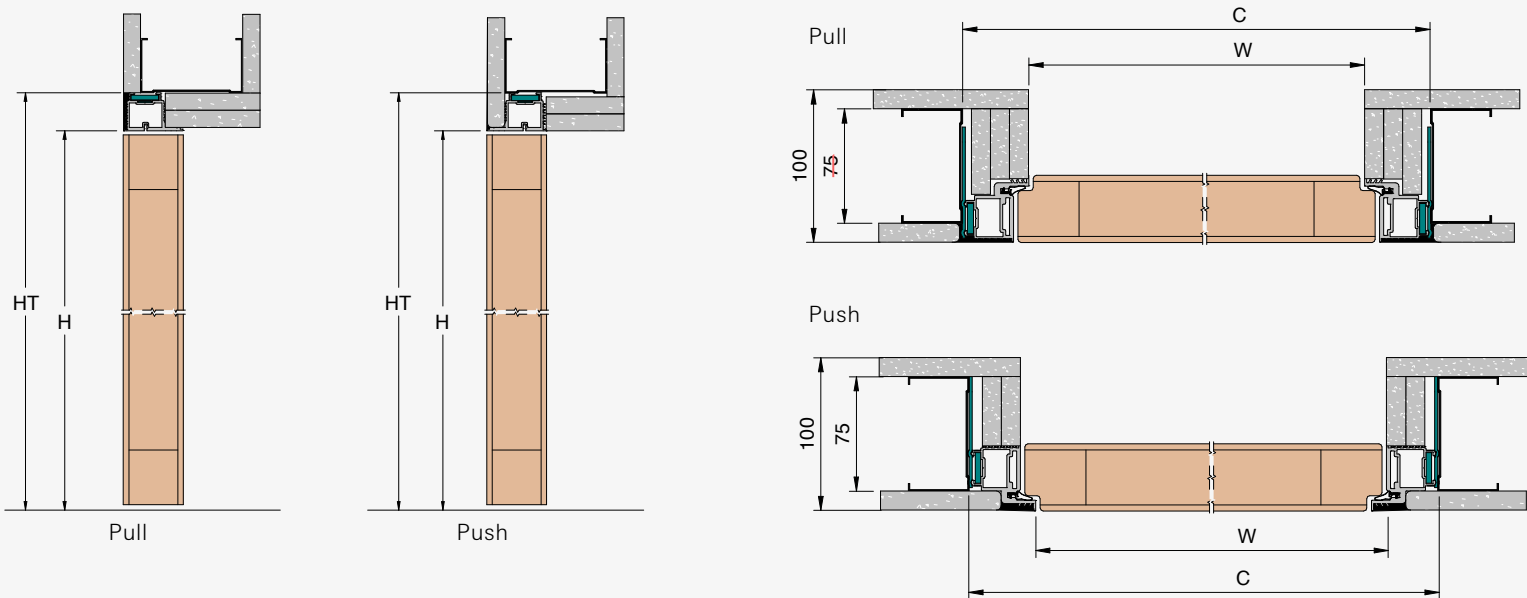
Use the adhesive joint cover tape before groting.



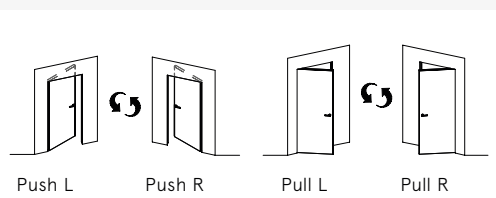
JOINT COVER TAPE (not included)

# XREVERX

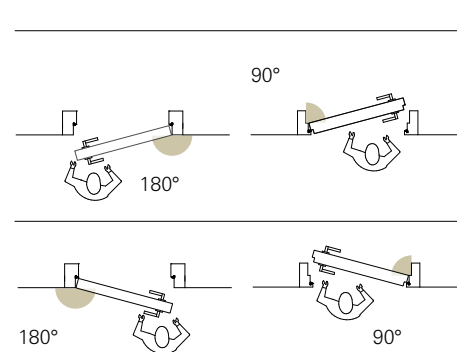
REVERSIBLE: XRS



PASSAGE SIZE	DOOR SIZE	OPENING SIZE
600 x 2100	613 x 2103	690 x 2140
700 x 2100	713 x 2103	790 x 2140
800 x 2100	813 x 2103	890 x 2140
900 x 2100	913 x 2103	990 x 2140



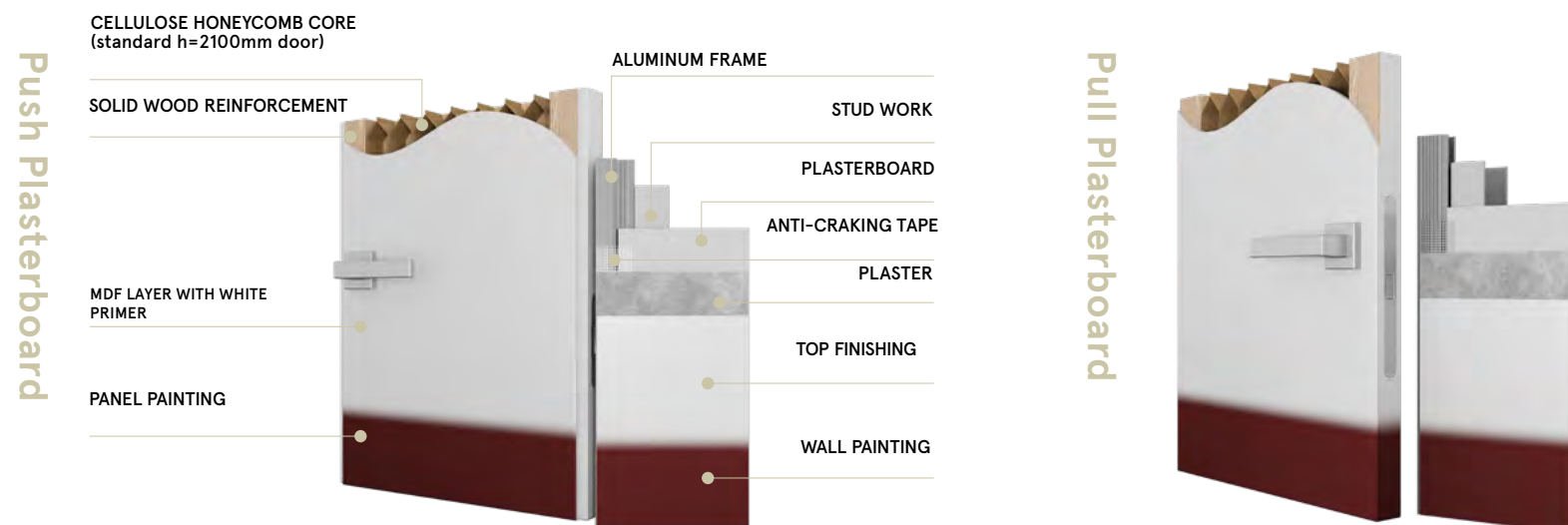
**DOOR OPENING RANGE**



**FEASIBLE DIMENSIONS**  
 WIDTH from 600 to 900 mm  
 HEIGHT H 2100 mm

**FORMULAS TO CALCULATE DIMENSIONS**  
 WIDTH  $W + 90$  mm  
 HEIGHT  $H + 40$  mm

## XREVERX PLASTERBOARD

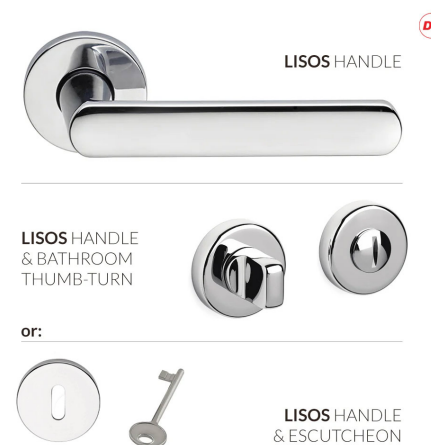


**KIT CONTENT**

3 Invisible Hinges Satin Chrome finish.



3 Handle options - choose from styles below:



Ermetika®  
DESIGN PASSAGES

