

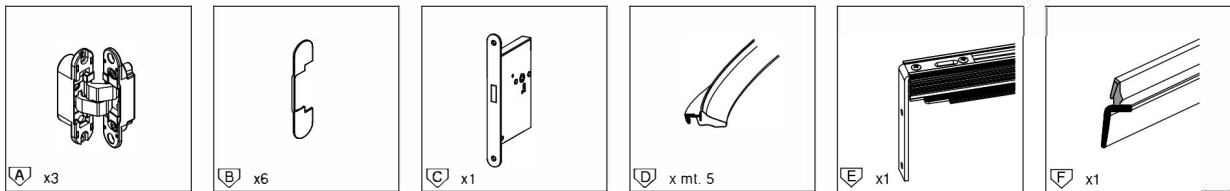


H-2100: The lock is positioned exactly in the middle of the door panel (1050mm).

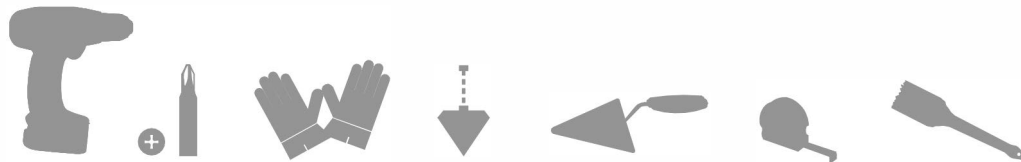


The set includes three adjustable concealed satin chrome hinges.

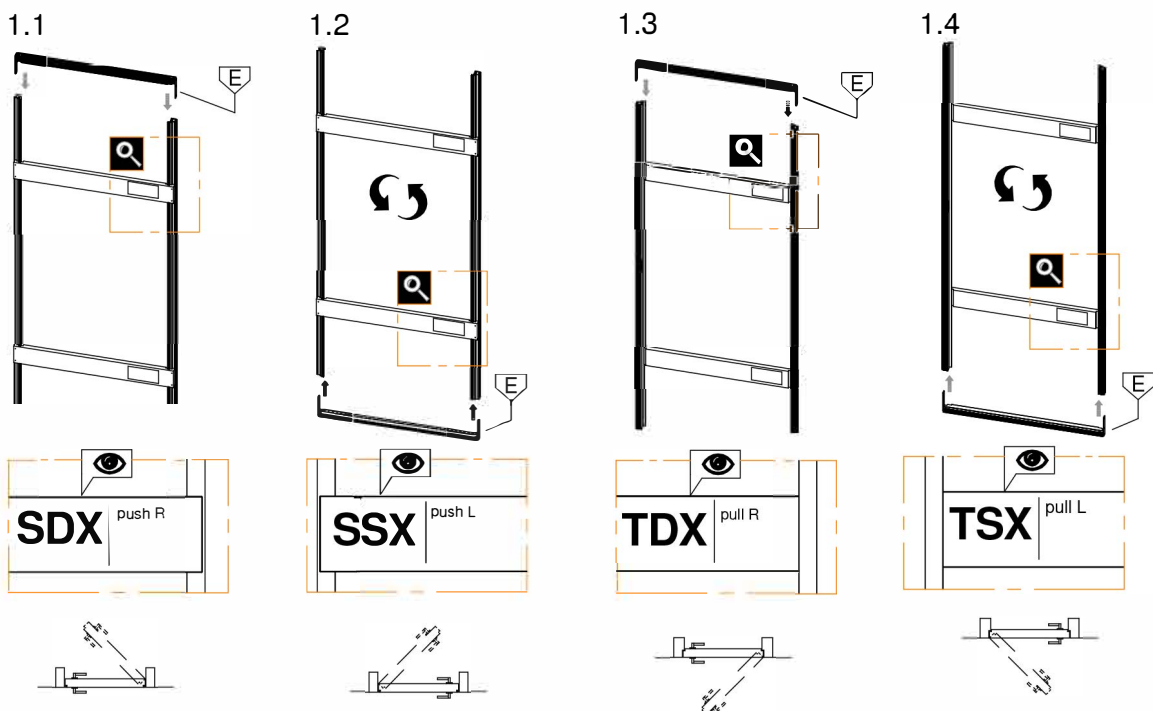
Standard equipment



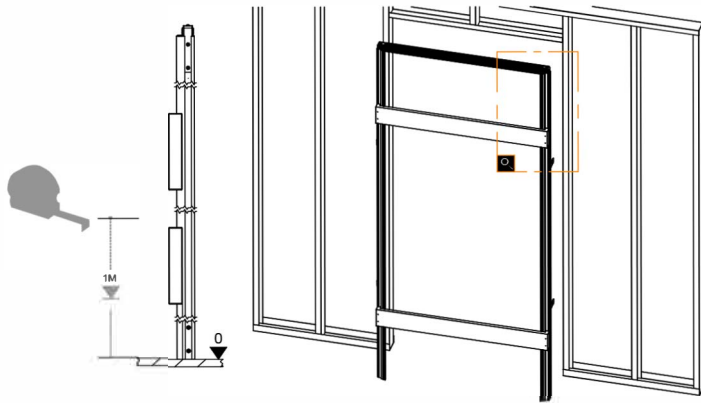
Tools



SETUP

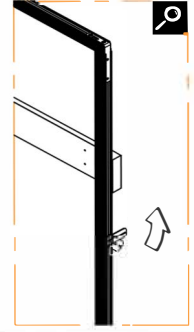
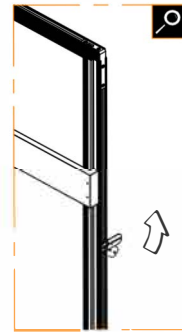


1.5

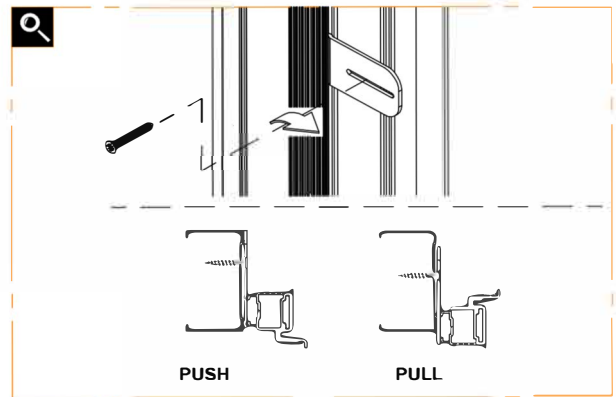
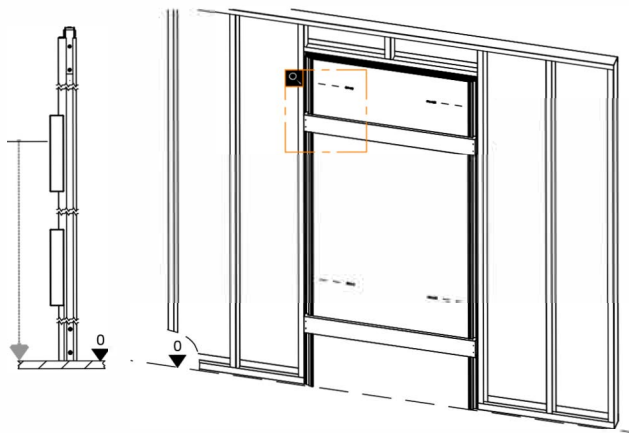


PUSH

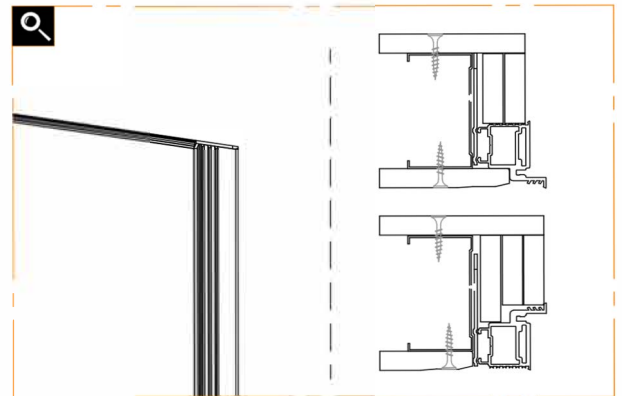
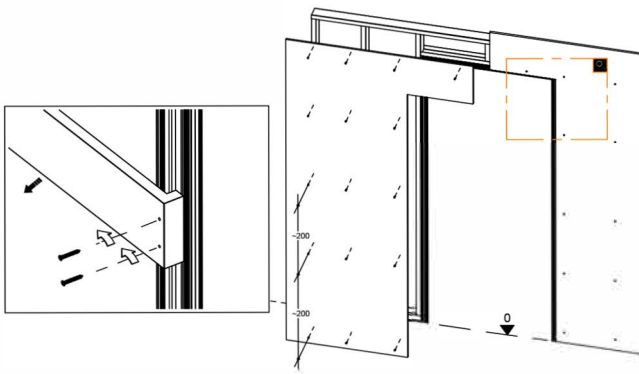
PULL



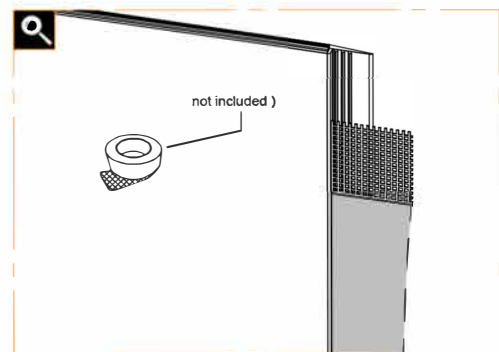
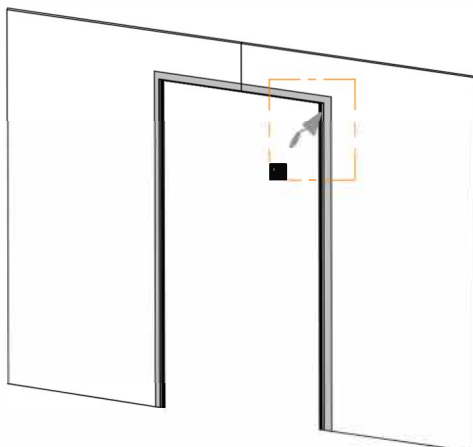
1.6



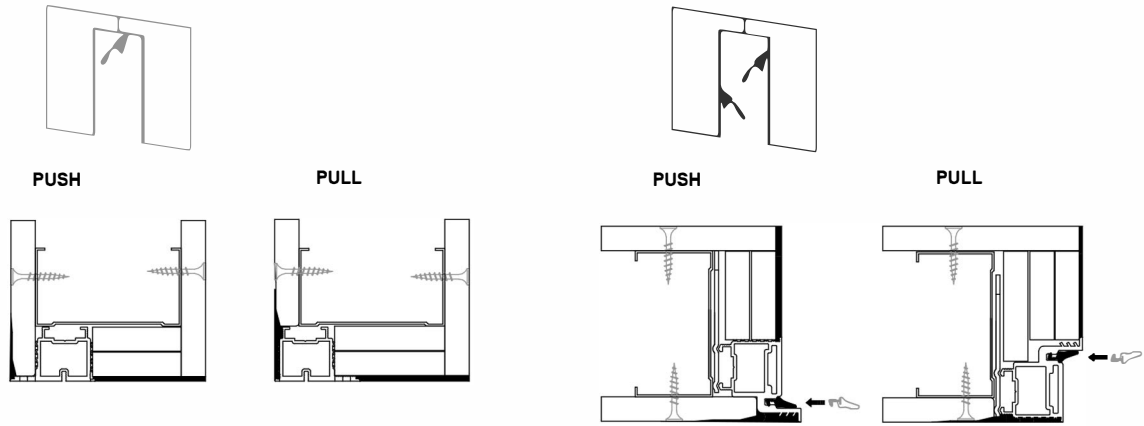
1.7



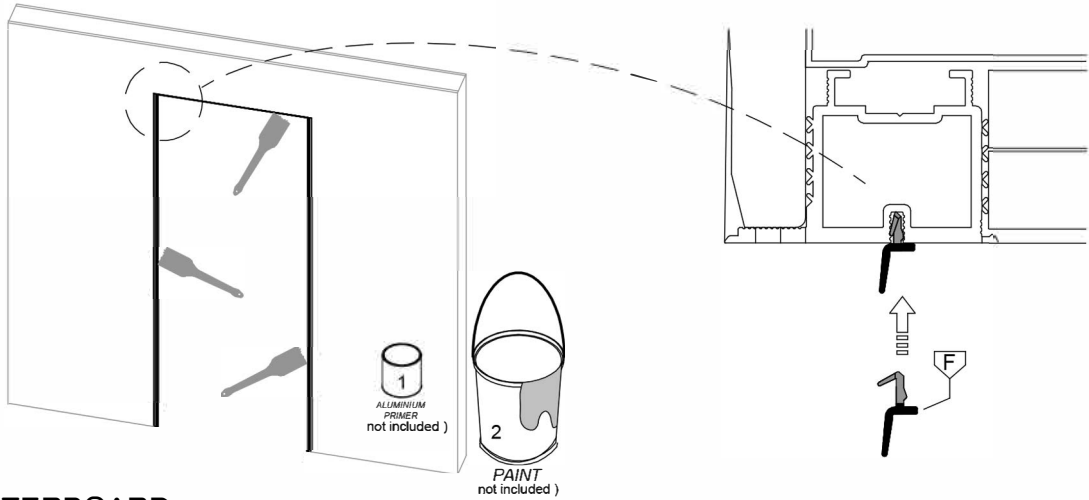
1.8



1.9



2.0



PLASTERBOARD

HINGES ADJUSTMENT

