



## Components & fitting guide

For any of our white, walnut and coloured doors we supply the pelmet and frame in white primed MDF for painting but on occasion it may be white paper overlay MDF for painting.

All content and images are copyright protected by DirectDoors.com  
Intellectual Property Office Trademark  
No: UK00003288492

All content and images are copyright protected by DirectDoors.com



DOOR CONFIGURATION	DOOR WIDTH OPTIONS	OVERALL WIDTH WITHOUT FRAME	OVERALL WIDTH INCLUDING FRAME	OVERALL HEIGHT WITHOUT FRAME	OVERALL HEIGHT INCLUDING FRAME
2 DOOR	686mm	1352mm	1412mm	2051mm	2081mm
2 DOOR	762mm	1504mm	1564mm	2051mm	2081mm
2 DOOR	838mm	1656mm	1716mm	2051mm	2081mm
3 DOOR	686mm	2018mm	2078mm	2051mm	2081mm
3 DOOR	762mm	2246mm	2306mm	2051mm	2081mm
3 DOOR	838mm	2474mm	2534mm	2051mm	2081mm
4 DOOR	686mm	2704mm	2764mm	2051mm	2081mm
4 DOOR	762mm	3008mm	3068mm	2051mm	2081mm
4 DOOR	838mm	3312mm	3372mm	2051mm	2081mm

## IMPORTANT

Please note: You can only assemble these door configurations by using the frame provided. Your warranty will be invalid if other alternatives are used.

All loads are taken by the top track to ensure smooth, light operation and long life.

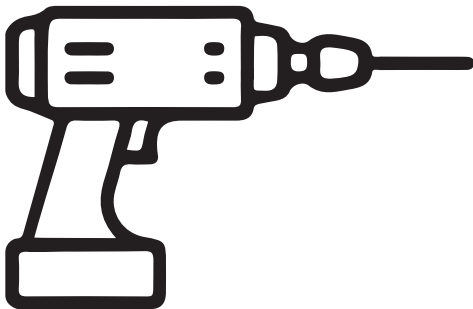
Prior to installing this doorset, inspect for damage and do not proceed to fit if any noticeable damage or defect is evident. This doorset should be stored in a dry flat location before installation.



Thank you for purchasing one of our Thruslide products, in this PDF we take you step by step on how to assemble and install your new product. We will also go through the list of tools required to do so.

All Thruslide door products are cut to size upon receipt of order and cannot be cancelled afterwards, they are classed as a bespoke item created and manufactured by DirectDoors.com to suit your chosen door dimensions. Please ensure you have a reliable joiner / builder to carry out the following works and ensure that they have a well ventilated area if cutting.

## TOOLS REQUIRED



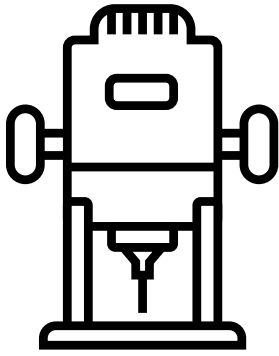
Cordless Power Drill - Drill Bits



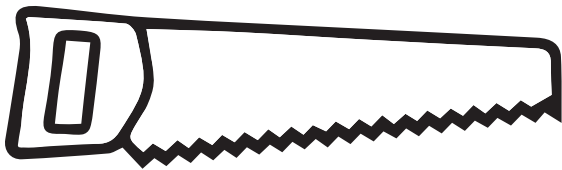
3mm Steel Drill Bit (this is required for pilot holes through the MDF frame & aluminium track )



Countersink bit (this is to allow screw heads to go below surface of frame at pilot holes)



Router



Hand Saw



Tape Measure



Masonry Bit (only required if it's not a timber stud wall you're fixing to)



Spirit Level

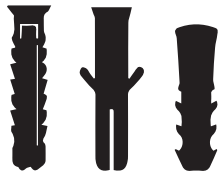


Please note that the following materials are supplied with the Thruframes:



Frame screw assembly fixings (this is for fixing the lintel and threshold to the legs and pelmet to the lintol).

Please note that the following materials are NOT supplied with the Thruframes:



Wall screw fixings and masonry plugs: these are very dependent on whether the wall is "stud" timber frame or brick etc, stud walls do not require masonry plugs

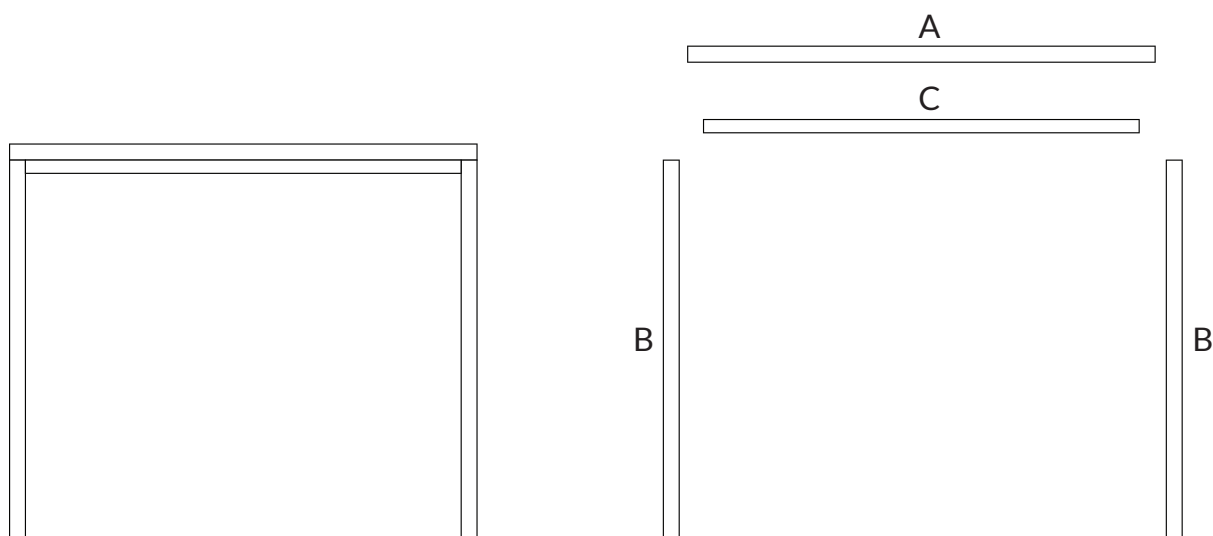


Filler

# COMPONENT LIST



## 2 DOOR SYSTEM



	LINTOL PLATE	A - x1
	FRAME SIDE/LEG PLATE	B - x2
	PELMET PLATE	C - x1

Lintol and pelmet plate widths are variable depending on the size chosen.

FRAME SCREW		x5
PELMET PLATE SCREW		x4

Sliding system:

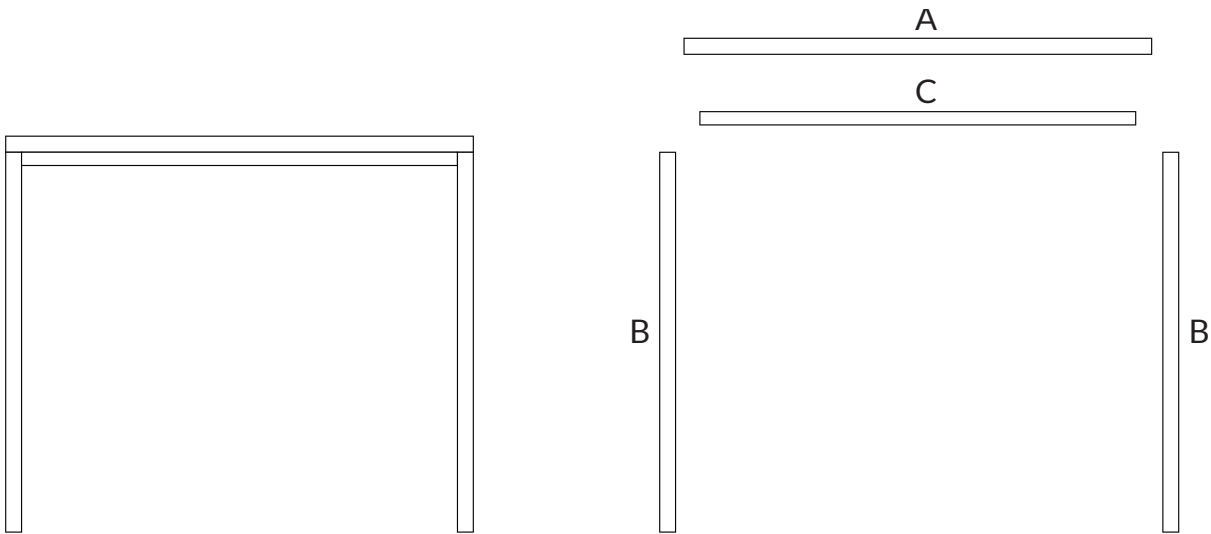
ALUMINIUM DOOR TRACK		x2
ALUMINIUM DOOR CHANNEL		x2
WHEEL HANGER		x2
SOFT CLOSER/OPENER		x2
DOOR GUIDE		x2

Not to scale, dimensions will vary depending on the option chosen.

# COMPONENT LIST



## 3 DOOR SYSTEM



	LINTOL PLATE	A - x1
	FRAME SIDE/LEG PLATE	B - x2
	PELMET PLATE	C - x1

Lintol and pelmet plate widths are variable depending on the size chosen.

FRAME SCREW		x5
PELMET PLATE SCREW		x5

Sliding system:

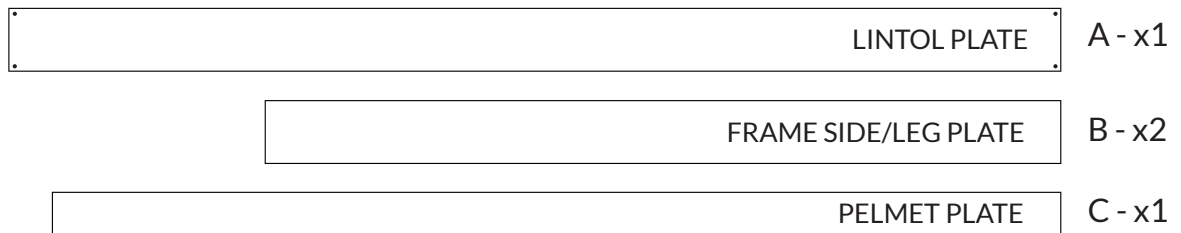
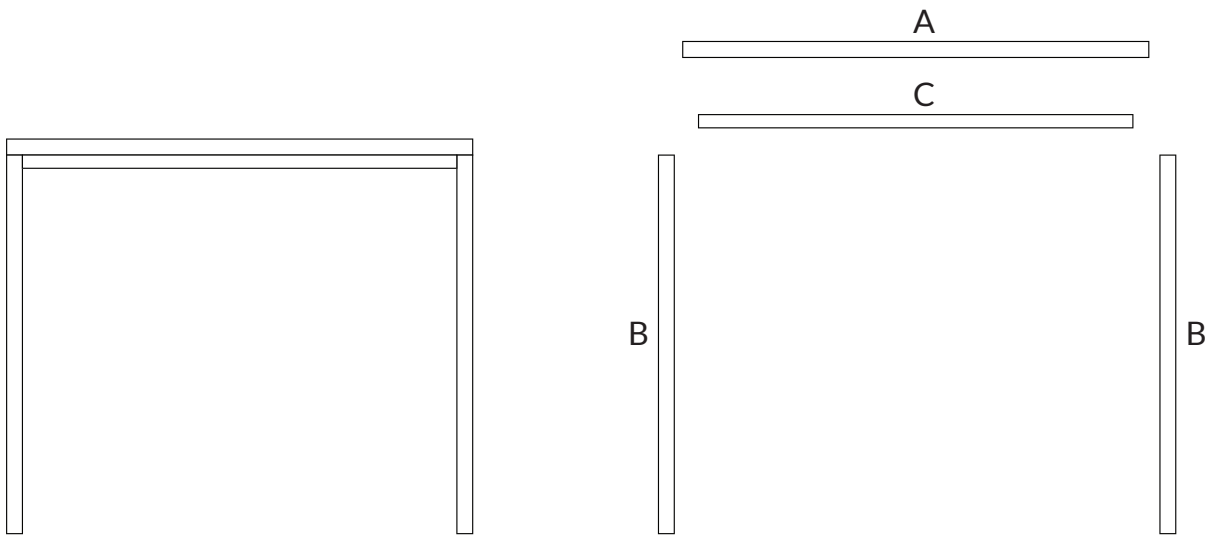
ALUMINIUM DOOR TRACK		x2
ALUMINIUM DOOR CHANNEL		x3
WHEEL HANGER		x3
SOFT CLOSER/OPENER		x3
DOOR GUIDE		x3

Not to scale, dimensions will vary depending on the option chosen.

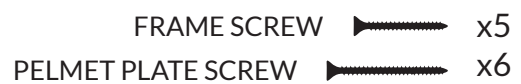
# COMPONENT LIST



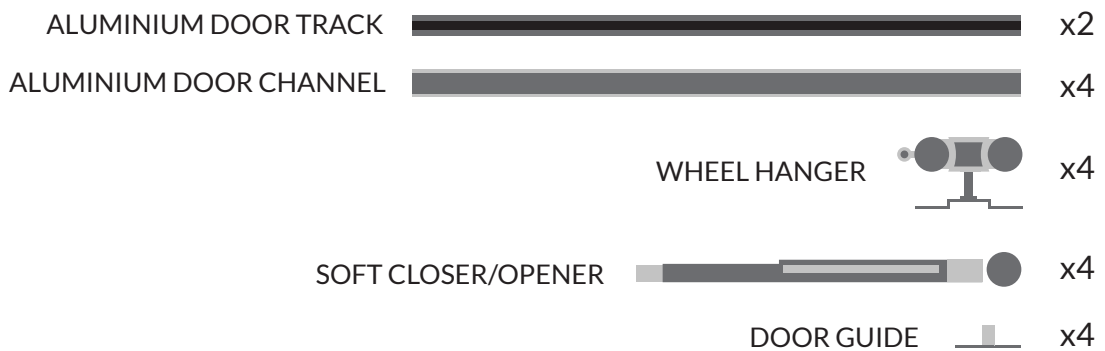
## 4 DOOR SYSTEM



Lintol and pelmet plate widths are variable depending on the size chosen.

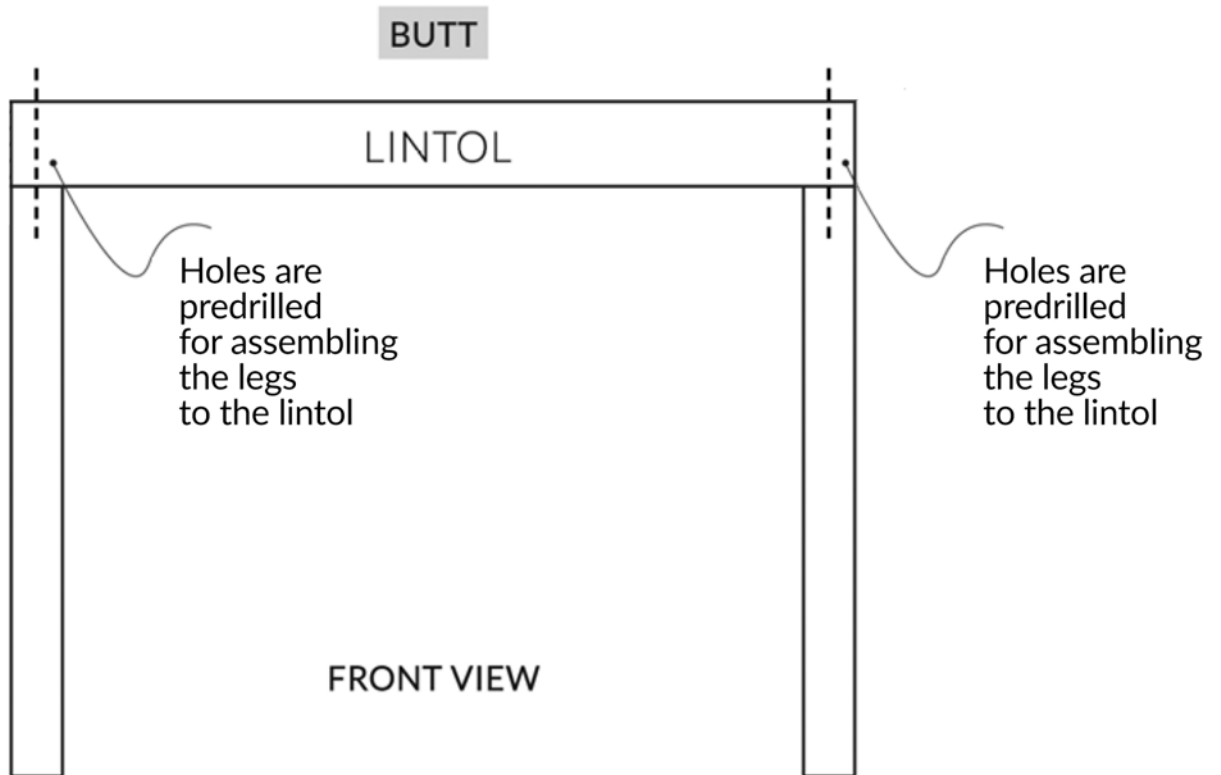


Sliding system:

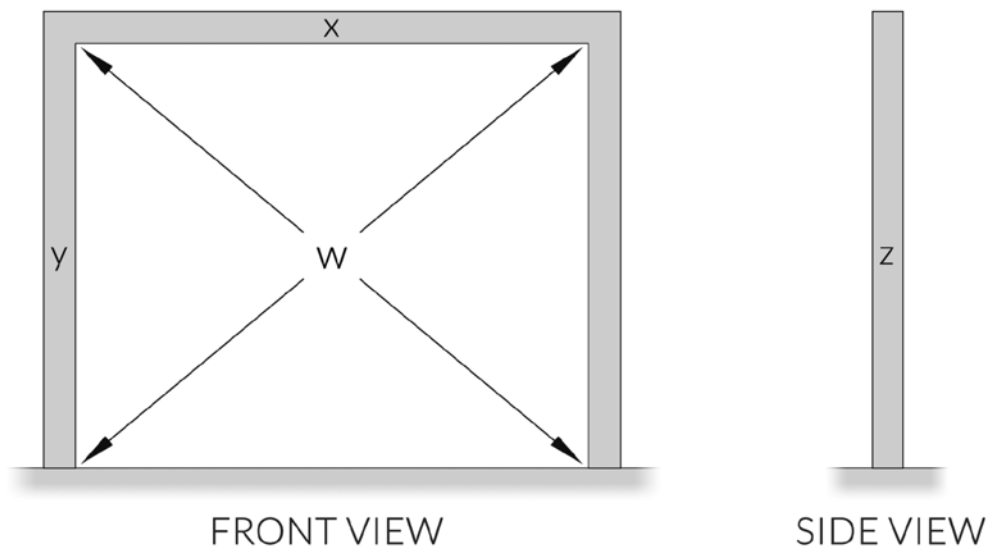


Not to scale, dimensions will vary depending on the option chosen.

Frame Legs and Lintol may be longer then required.



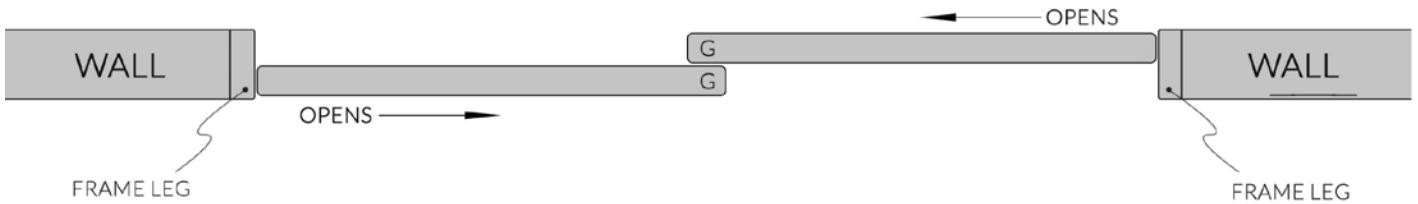
FRAME MUST BE PERFECTLY ALIGNED ON ALL THREE AXIS



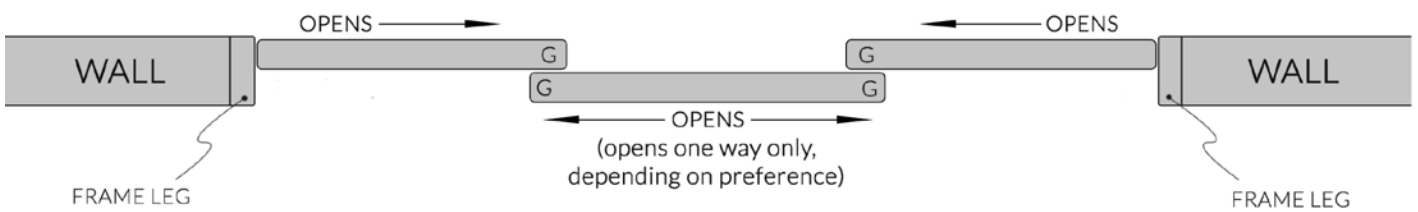
X: horizontal. Y: vertical. Z: lateral = all must be true  
W = must be perfectly symmetrical/square



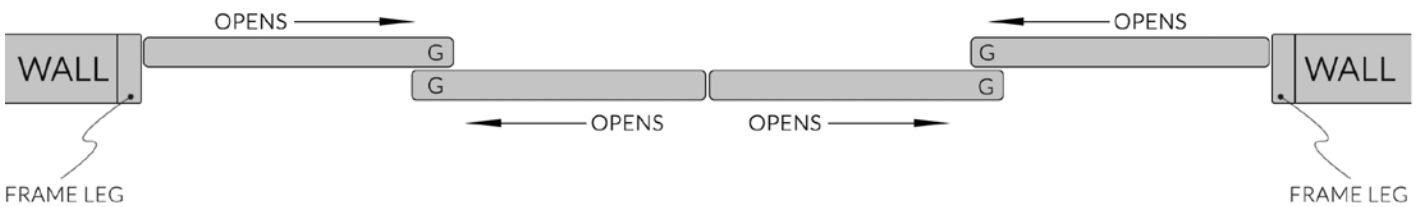
## 2 Door Set With 20mm Overlap Viewed From Above



## 3 Door Set With 20mm Overlap of Each Central Door Edge Viewed From Above



## 4 Door Set With 20mm Overlap of One (L/R) Edge of Each Central Door Edge Viewed From Above



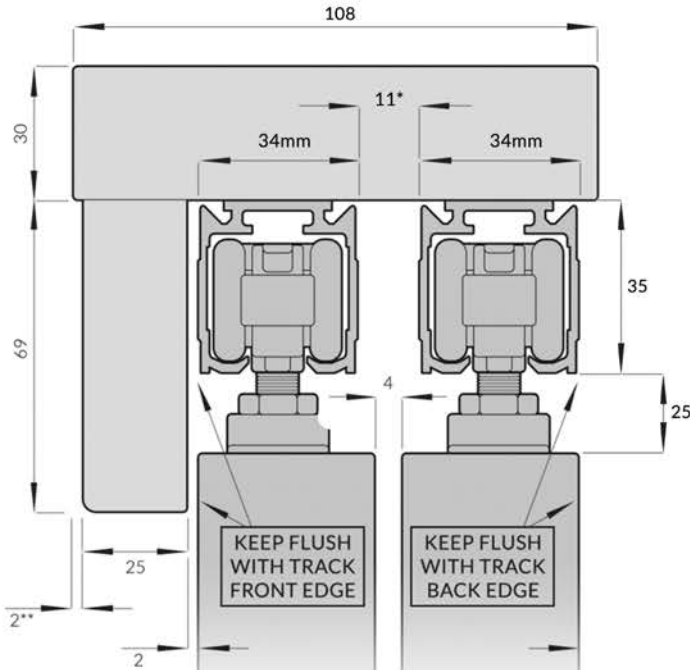
KEY: G = Floor Guides

# TRACK ARRANGEMENT ON FRAME ASSEMBLY

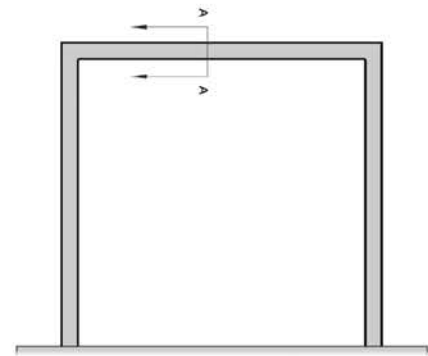


## 108mm LINTOL

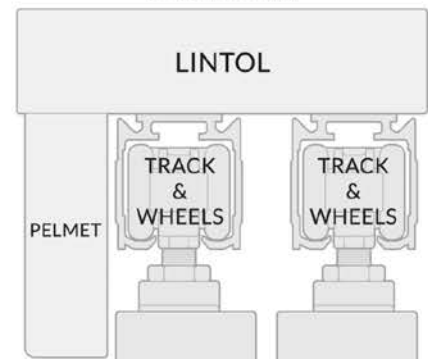
\*\* ALL DIMENSIONS ARE APPROXIMATE \*\*



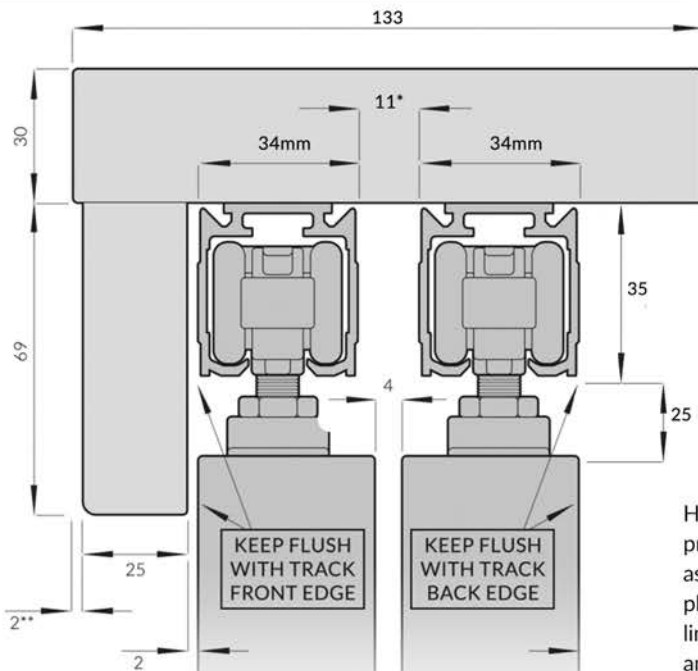
- 12-19\* If using glazed doors that feature protruding beads, the gap between tracks should be increased.
- 2-4\*\* Any increase to the gap between tracks may require the pelmet to move closer to the edge of the lintol (choice dependant).



### SECTION A-A

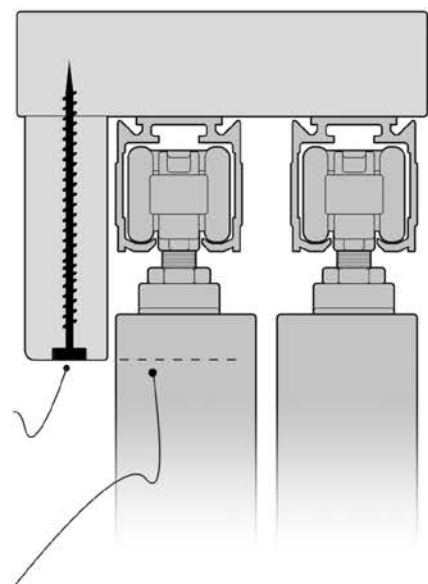


## 133mm LINTOL



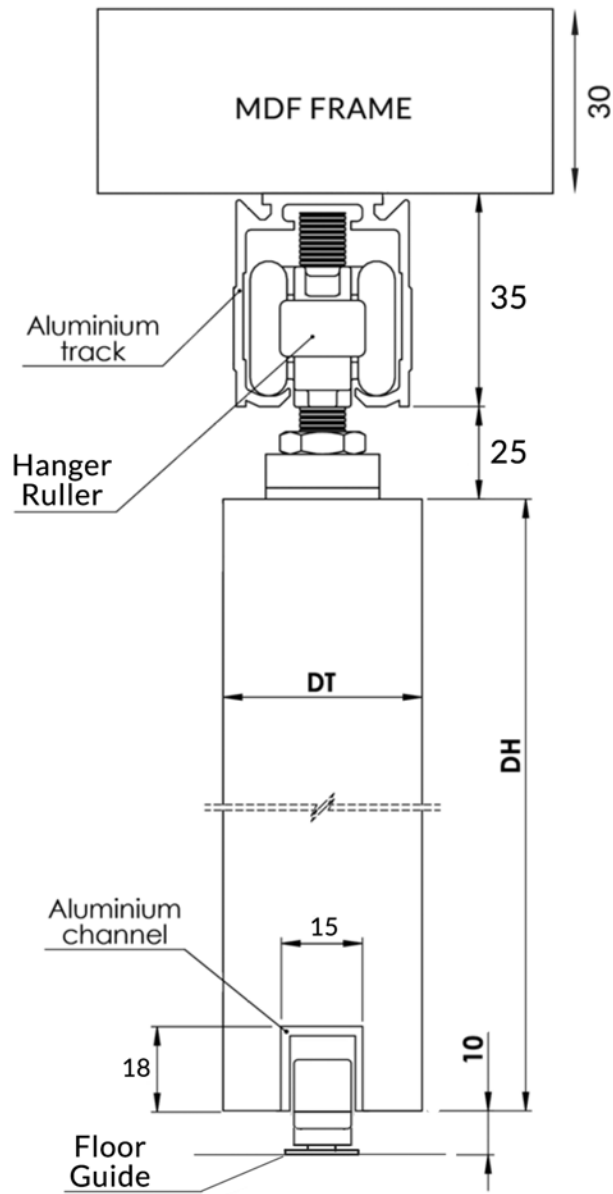
- 12-19\* If using glazed doors that feature protruding beads, the gap between tracks should be increased.
- 2-4\*\* Any increase to the gap between tracks may require the pelmet to move closer to the edge of the lintol (choice dependant).

Holes are pre-drilled for assembling the pelmet to the lintol, screws and screwcap supplied.

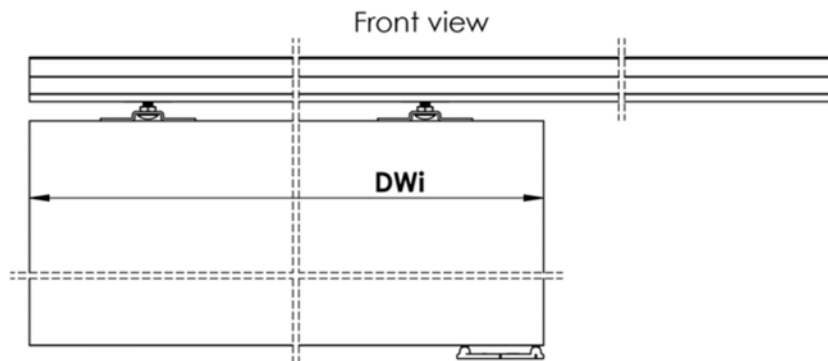


E: The amount the pelmet covers the door by is dependant on what clearance you give between top door and track.

SINGLE TRACK SHOWN FOR GUIDANCE PURPOSES ONLY



DT: Door Thickness  
 DH: Door Height  
 DWi: Door Width





ANODISED ALUMINIUM TOP TRACK, 2 LENGTHS



WHEELS AND HANGERS



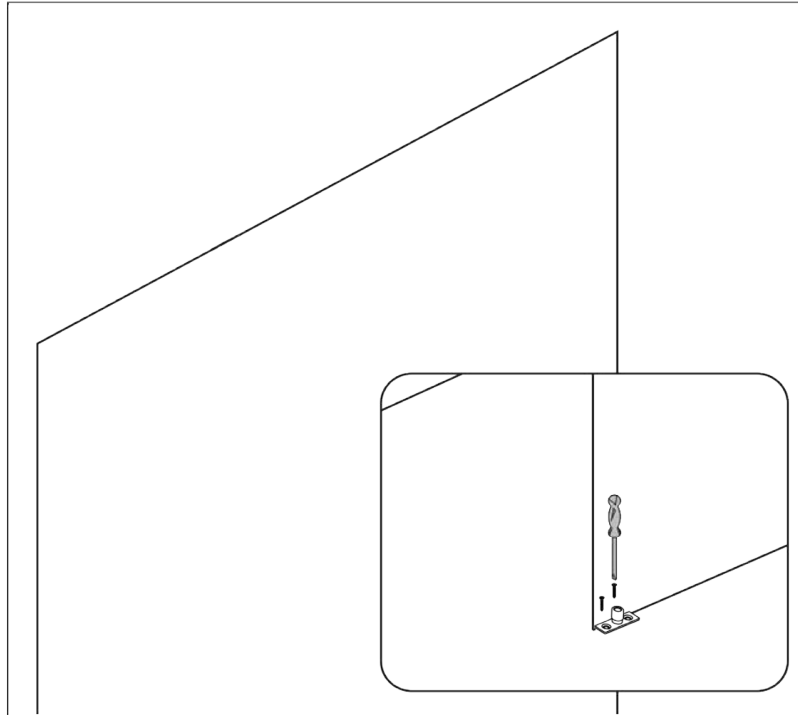
CONCEALED SOFT CLOSER/OPENER



ALUMINIUM DOOR CHANNEL



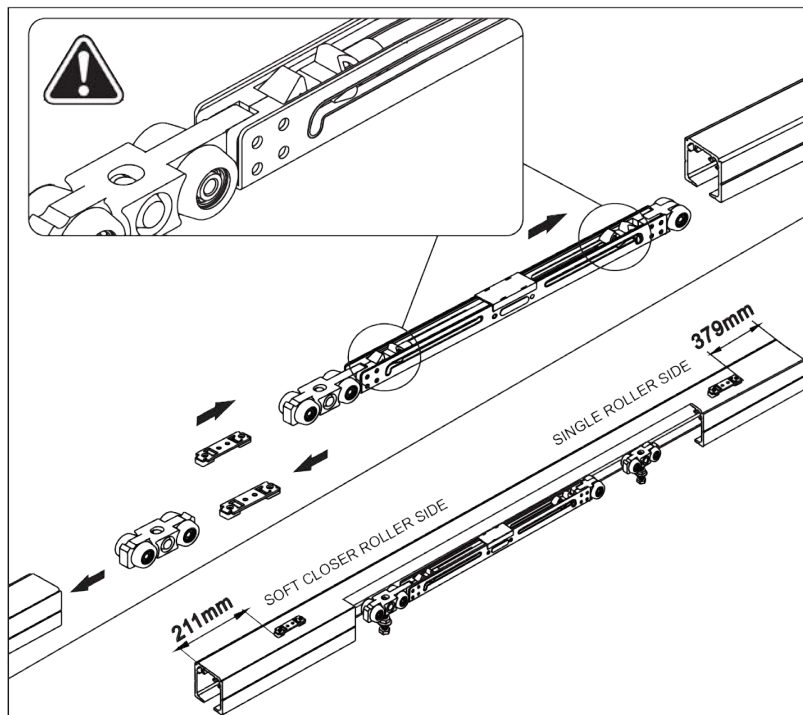
FLOOR GUIDE



## CONCEALED SOFT CLOSER KIT



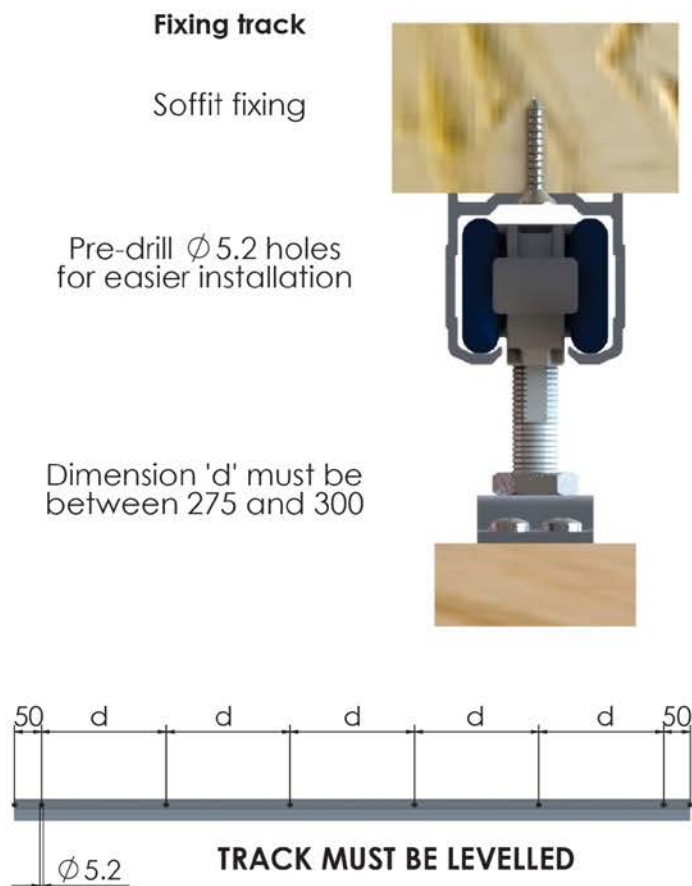
Before the soft closer is installed into the track, ensure that the soft closer slide buckle is in the open position on both ends (as shown on the picture).



## 1. PREPERING TRACK

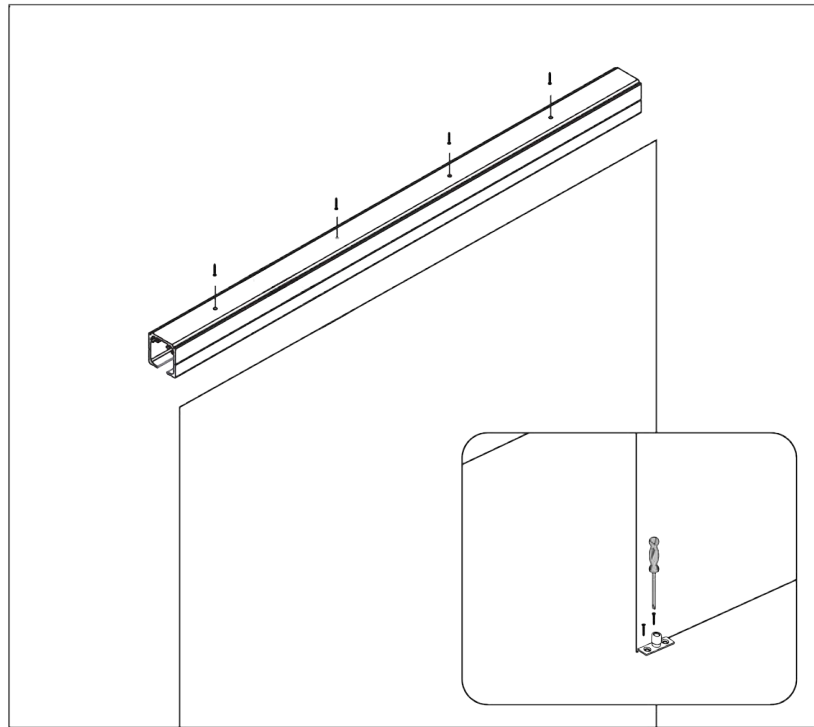


## 2. TRACK FITTING (Track holes are not pre-drilled)



## 3. TRACK & BOTTOM GUIDE FITTING

Part of the bottom door guide may show (depending on the selected position of the guide) either when fully open or fully closed.

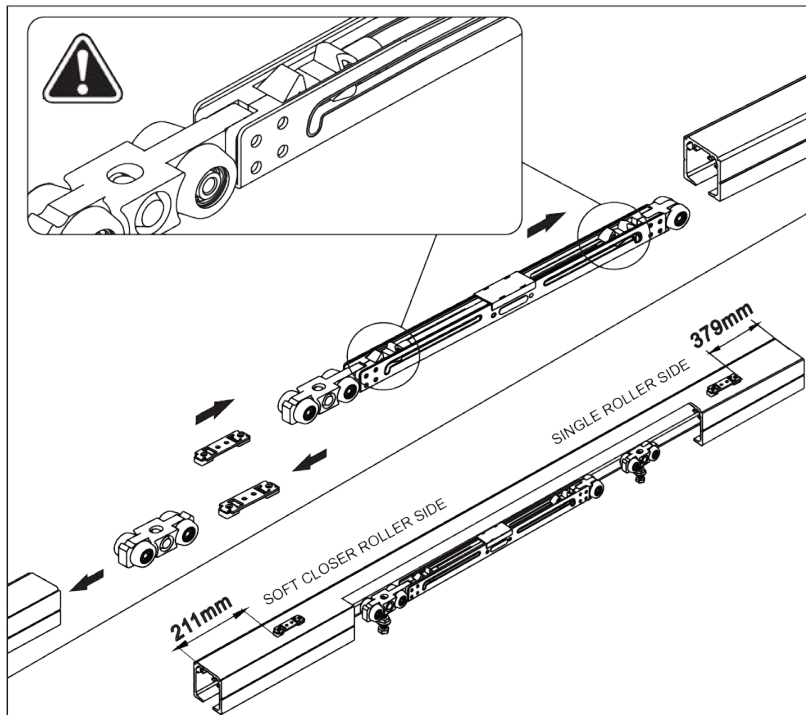


## 4. SOFT CLOSER FITTING



Before the soft closer is installed into the track, ensure that the soft closer slide buckle is in the open position on both ends (as shown on the picture).

Slide the Soft Closer/Opener into the track before fixing track to lintol between frame legs.



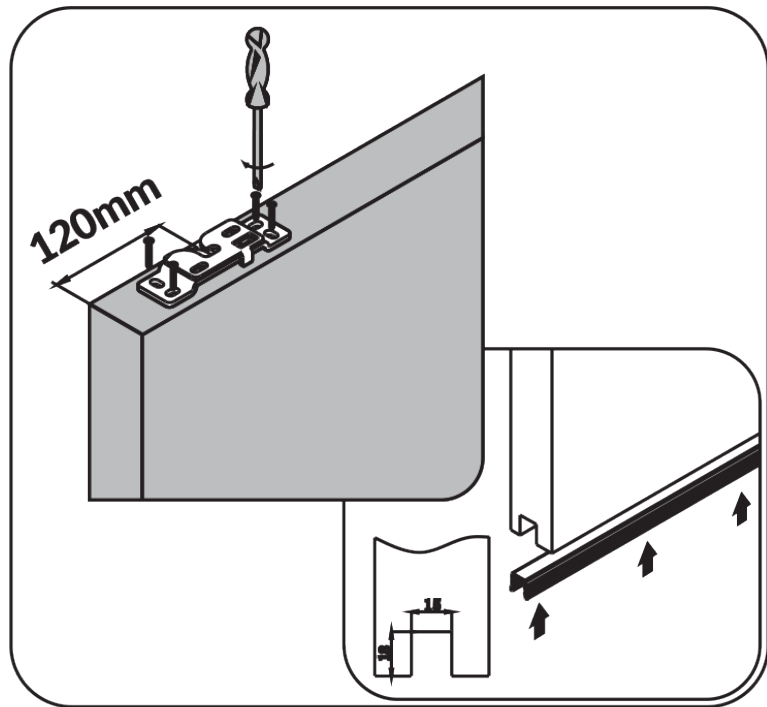
## 5. HANGER PLATES & DOOR CHANNEL FITTING

Mark the proper position of the hanger plates on top of the door and fix them with screws.

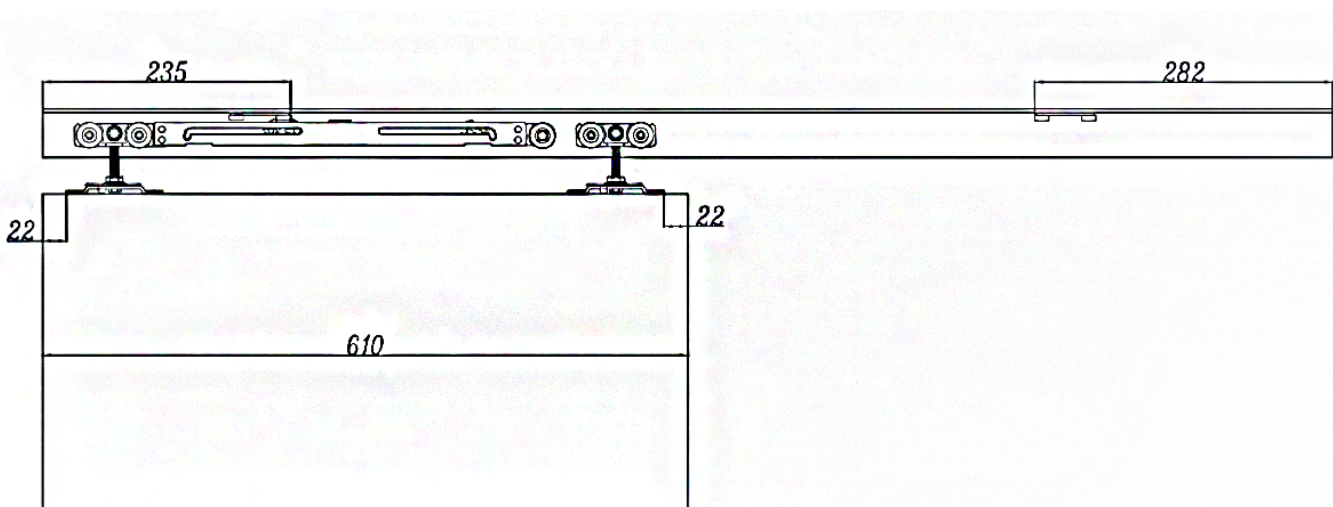
Insert the bottom door channel.

Aluminium door channel requires drilling for fixing.

See below if you use 610mm doors.



If you're assembling a track with 610mm door(s), please use the diagram provided below as a general reference only. Make sure to properly check the installation, ensuring that the soft closer or opener is correctly positioned and securely set to function as intended. Double-check all measurements and adjustments to guarantee smooth and efficient operation.



## 6. DOOR INSTALLATION

Insert the door and adjust the screws.

Ensure that the door is square, level and plumb.

