

Installation Manual

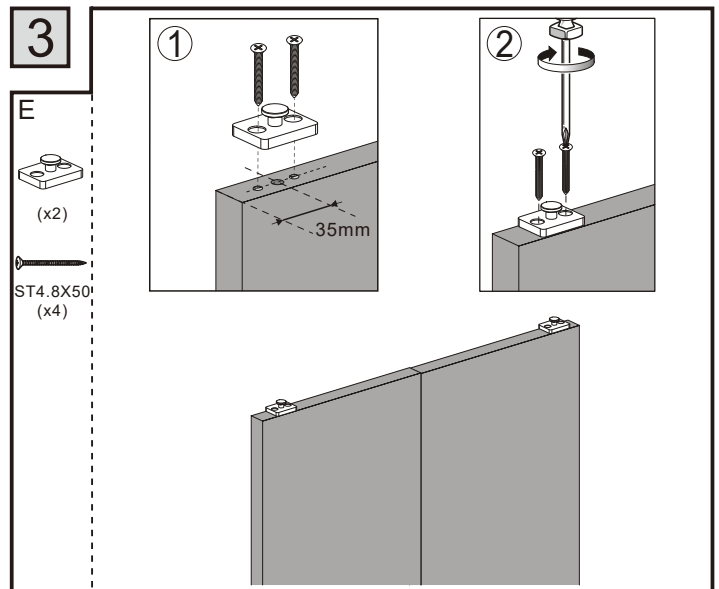
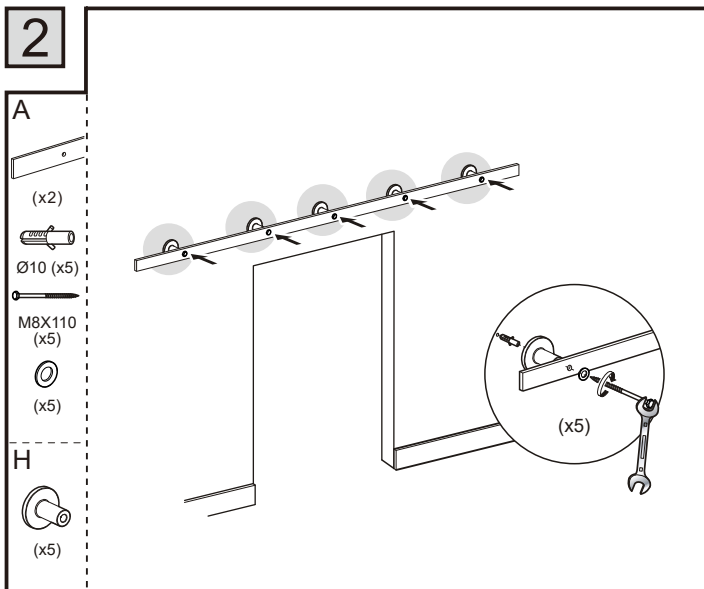
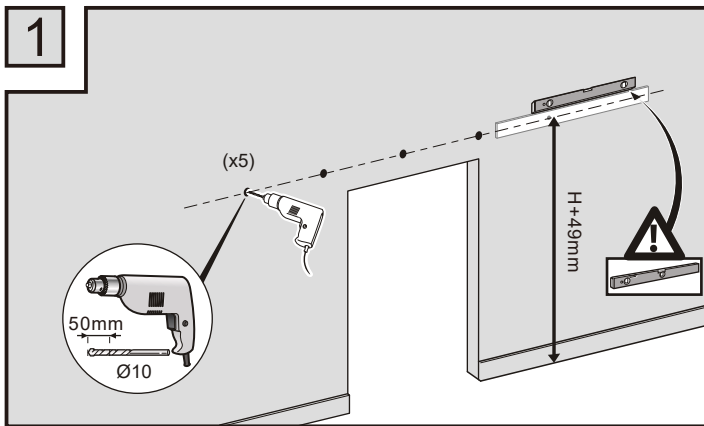
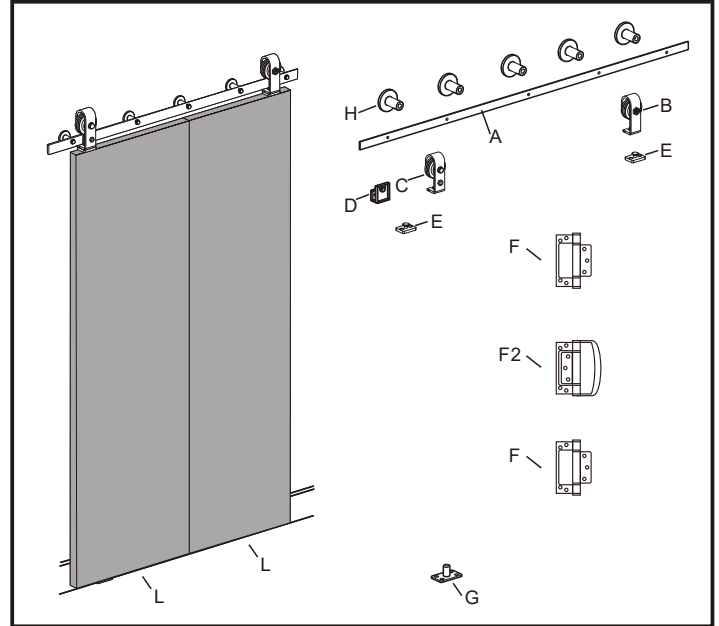
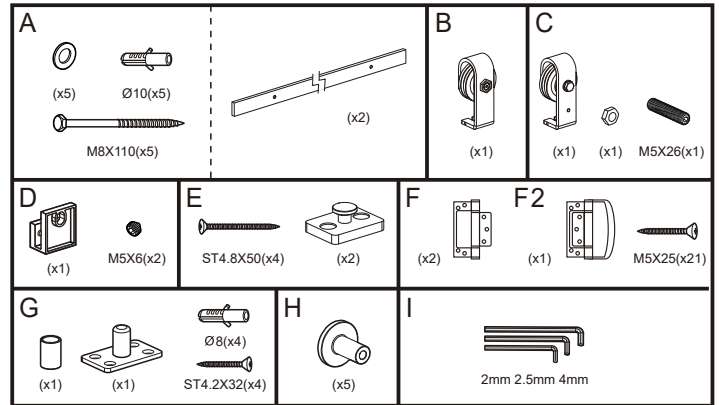
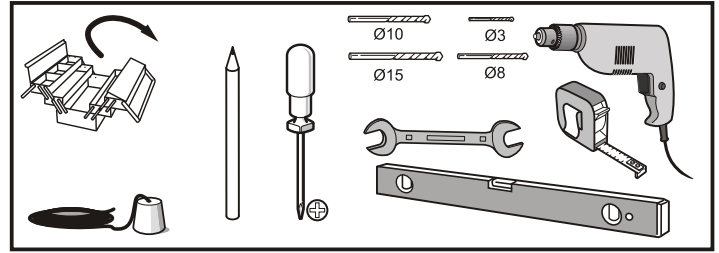
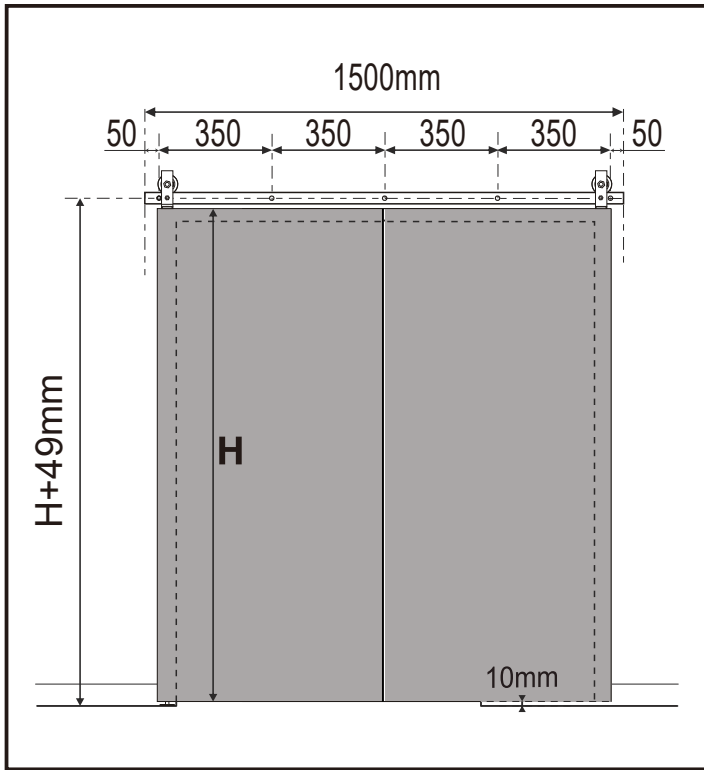
SPACEEASI BI-FOLD SLIDING BARN DOOR KIT

1500mm



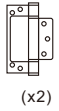
How to install video:

<https://www.youtube.com/watch?v=W2bxZuRi6LA>



4

F



(x2)

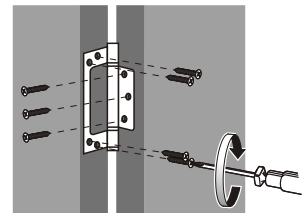
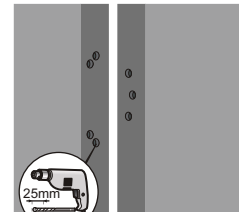
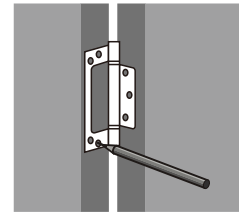
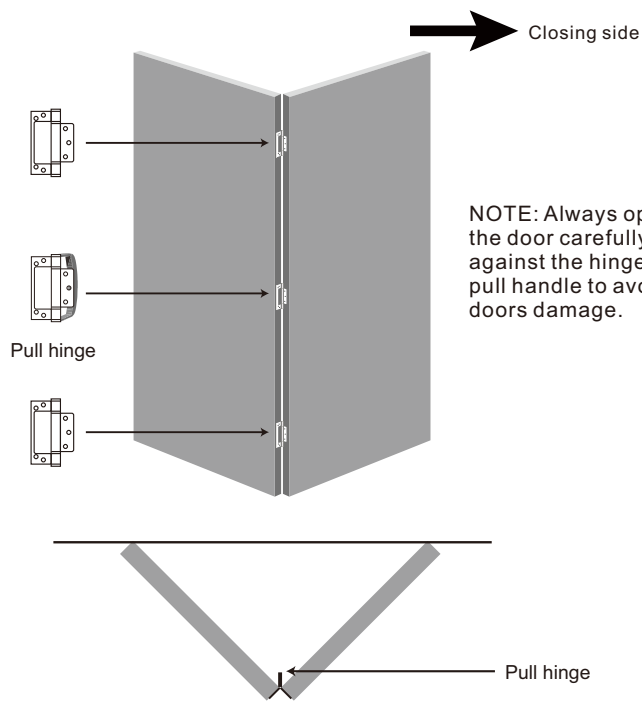
F2



(x1)



M5X25
(x21)



We recommend following our installation instructions for fitting. However, if your joiner considers recessing the hinges, please keep in mind that even though the hinges are 4mm, the recess cannot exceed 2mm.

5

C

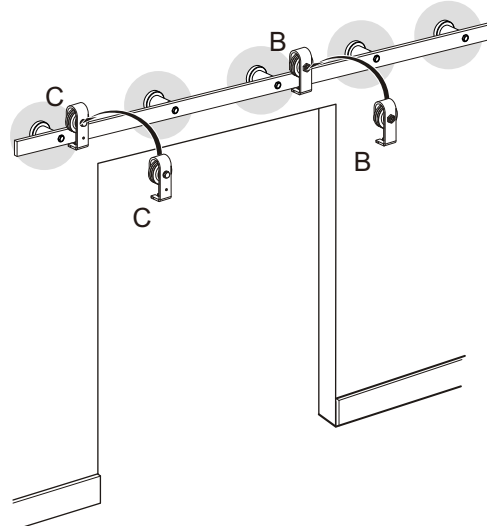


(x1)

B



(x1)



6

G



(x1)



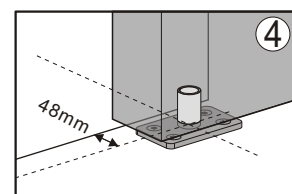
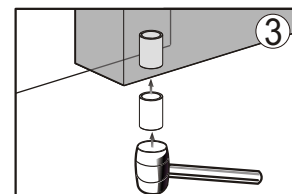
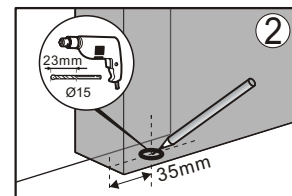
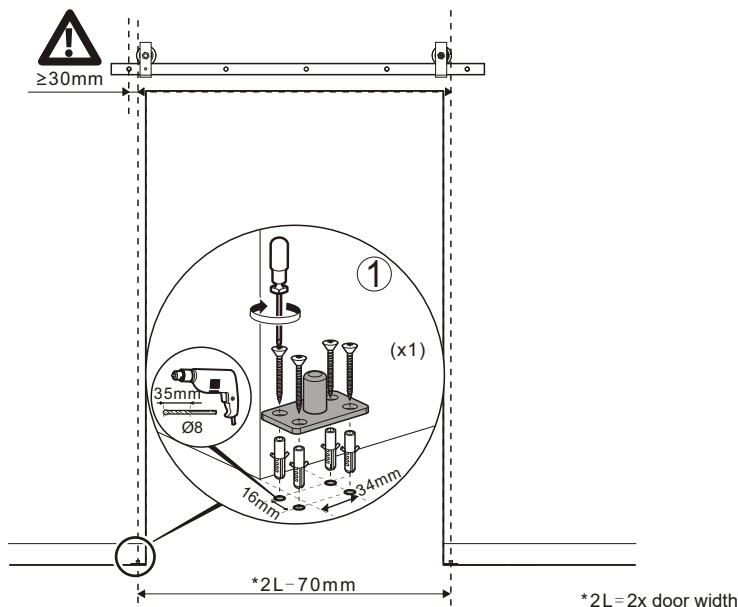
(x1)



ST4.2X32
(x4)



Ø8(x4)



7

C



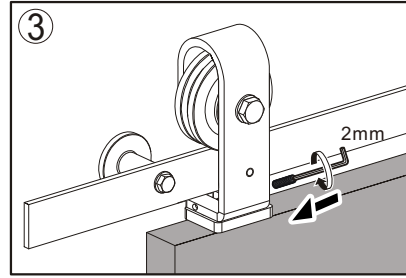
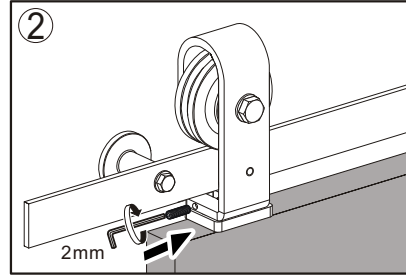
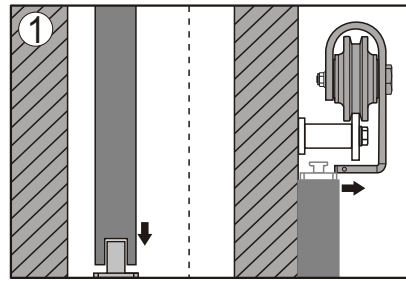
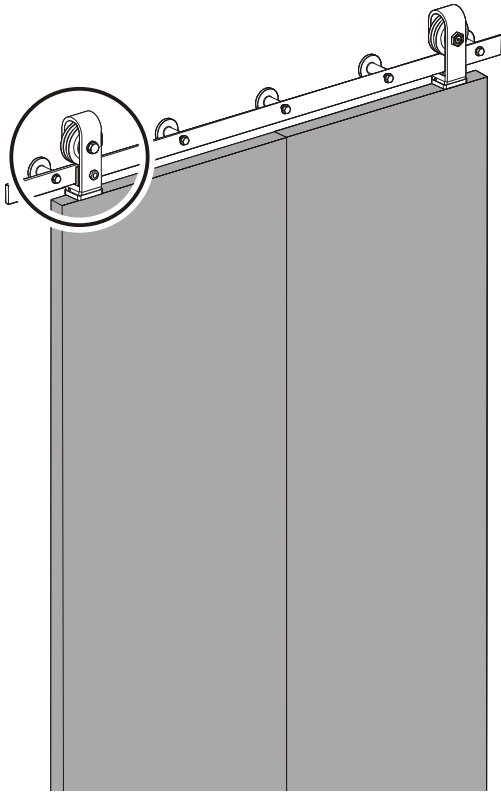
(x1)

I



2mm

(x1)



8

B



(x1)

I



2mm

(x1)

II



4mm

(x1)

